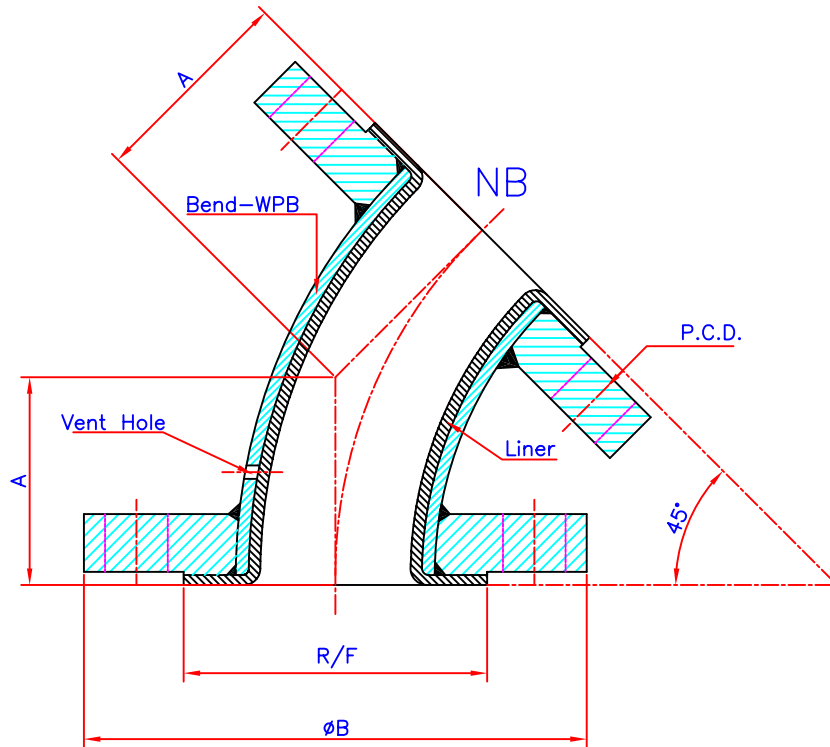


Lined 45Deg. Bend



ASME B 16.5 - 150#

Size (NB)	Flange OD øB	Raised Face Diameter (R/F)	Flange P.C.D.	Face to Face A	PTFE Liner Thickness	BEND Schedule
15	88.9	35	60.3	--	--	40
20	98.4	43	69.8	--	--	40
25	108.0	51	79.4	44	3.5	40
40	127.0	73	98.4	57	3.5	40
50	152.4	92	120.6	63	3.5	40
65	177.8	105	139.7	76	4.0	40
80	190.5	127	152.4	76	4.0	40
100	228.6	157	190.5	102	4.5	40
150	279.4	216	241.3	127	5.0	40
200	342.9	270	298.4	140	5.5	30
250	406.4	324	361.9	165	6.5	30
300	482.6	381	431.8	190	6.5	30

ALL DIMENSION ARE IN mm

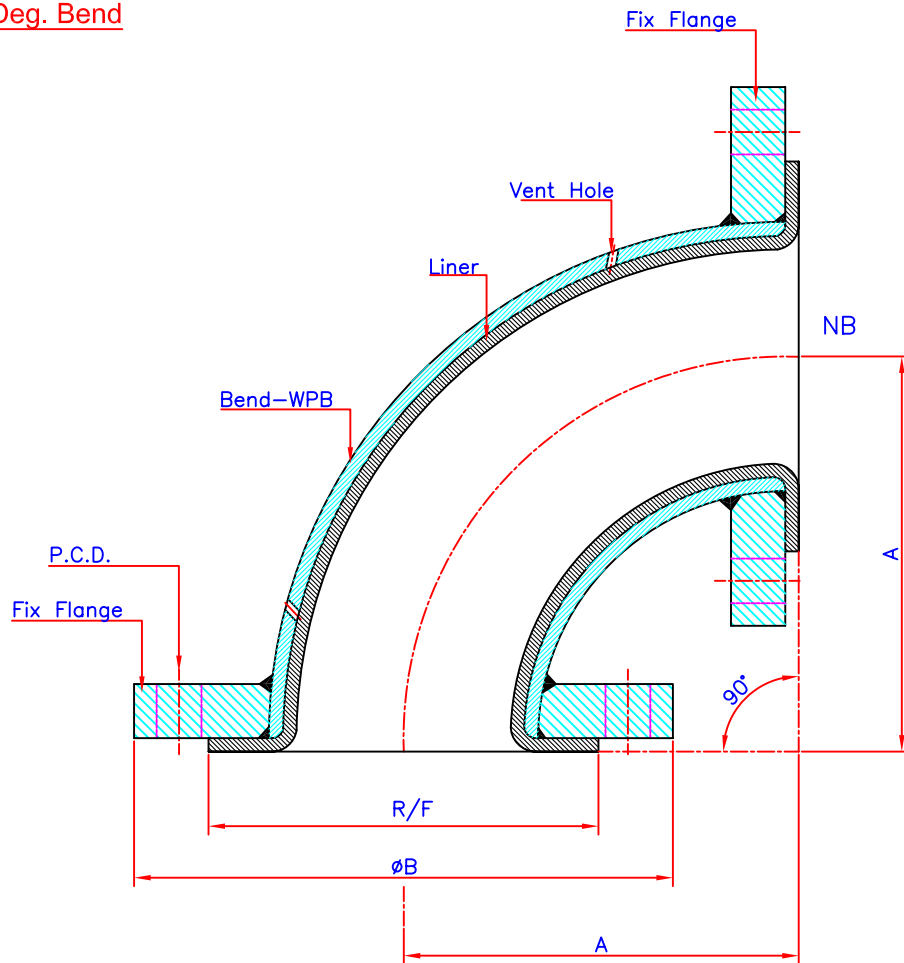
Item Material Data

Flange : IS : 2062 / A 105 / SS 304 / SS 316
 Bend : ASTM A 234 / SS 304 / SS 316
 BEND SCH- 40 / SCH -80
 Liner : PTFE / PP /HDPE / ANTISTATIC (PTFE)

Flange Std.

- 1) ASME B 16.5-150# & 300#
- 2) DIN.STD.-PN6 / PN10 / PN 16 / PN 25
- 3) BS STD.-TABLE -D/E/F/H
- 4) JIS 5K / JIS 10K

Lined 90Deg. Bend



ASME B 16.5 - 150#

Size (NB)	Flange OD ϕB	Raised Face Diameter (R/F)	Flange P.C.D.	Face to Face A	PTFE Liner Thickness	BEND Schedule
15	88.9	35	60.3	--	--	40
20	98.4	43	69.8	--	--	40
25	108.0	51	79.4	89	3.5	40
40	127.0	73	98.4	102	3.5	40
50	152.4	92	120.6	114	3.5	40
65	177.8	105	139.7	127	4.0	40
80	190.5	127	152.4	140	4.0	40
100	228.6	157	190.5	165	4.5	40
150	279.4	216	241.3	203	5.0	40
200	342.9	270	298.4	229	5.5	30
250	406.4	324	361.9	279	6.5	30
300	482.6	381	431.8	305	6.5	30
350	533.4	413	476.2	356	7.0	20

ALL DIMENSION ARE IN mm

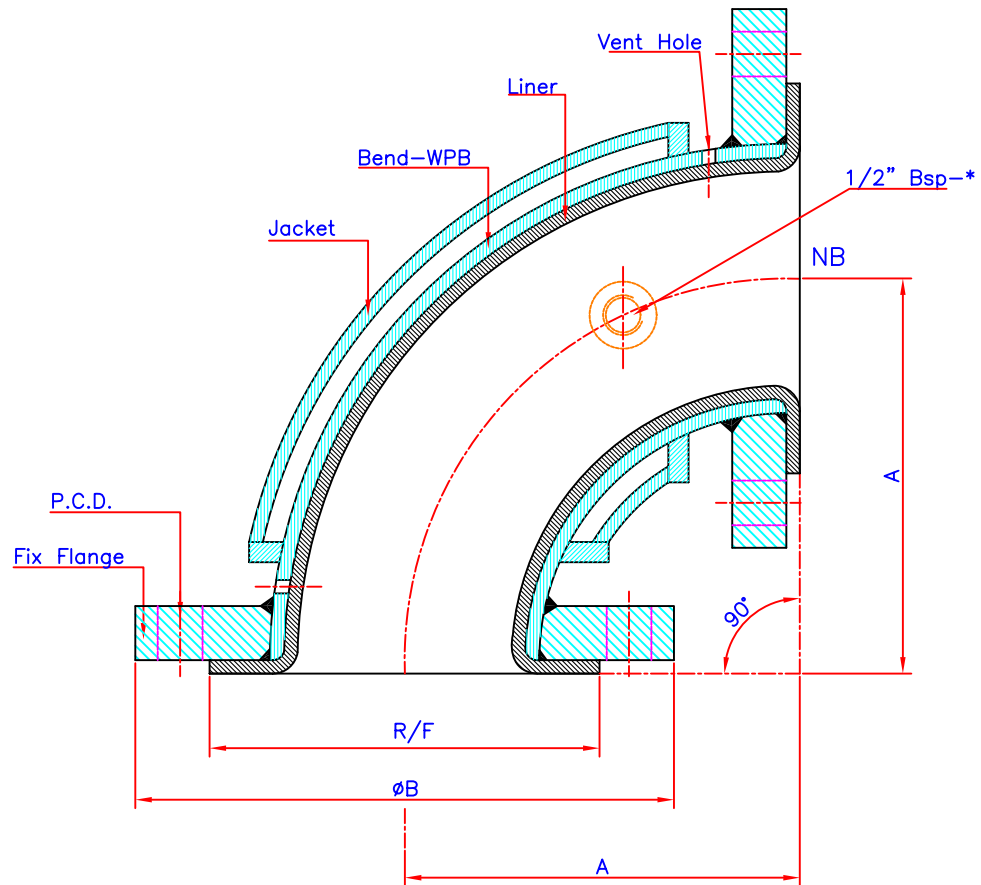
Item Material Data

Flange : IS : 2062 / A 105 / SS 304 / SS 316
 Bend : ASTM A 234 / SS 304 / SS 316
 BEND SCH- 40 / SCH -80
 Liner : PTFE / PP /HDPE / ANTISTATIC (PTFE)

Flange Std.

- 1) ASME B 16.5-150# & 300#
- 2) DIN.STD.-PN6 / PN10 / PN 16 / PN 25
- 3) BS STD.-TABLE -D/E/F/H
- 4) JIS 5K / JIS 10K

Jacketed Lined 90Deg. Bend



ASME B 16.5 - 150#

Size (NB)	JACKET BEND NOMINAL BORE	Flange OD ϕB	Raised Face Diameter (R/F)	Flange P.C.D.	Face to Face A	PTFE Liner Thickness	BEND Schedule
15	--	88.9	35	60.3	--	--	40
20	--	98.4	43	69.8	--	--	40
25	50	108.0	51	79.4	89	3.5	40
40	65	127.0	73	98.4	102	3.5	40
50	80	152.4	92	120.6	114	3.5	40
65	--	177.8	105	139.7	127	4.0	40
80	100	190.5	127	152.4	140	4.0	40
100	150	228.6	157	190.5	165	4.5	40
150	200	279.4	216	241.3	203	5.0	40

ALL DIMENSION ARE IN mm

* - Both Side Opposite

Item Material Data

Flange : IS : 2062 / A 105 / SS 304 / SS 316

Bend : ASTM A 234 / SS 304 / SS 316
BEND SCH- 40 / SCH -80

Jac.Bend : ASTM A 234 / SS 304 / SS 316
BEND SCH- 10 / SCH -40

Liner : PTFE / PP /HDPE / ANTISTATIC (PTFE)

Flange Std.

- 1) ASME B 16.5-150# & 300#
- 2) DIN.STD.-PN6 / PN10 / PN 16 / PN 25
- 3) BS STD.-TABLE -D/E/F/H
- 4) JIS 5K / JIS 10K