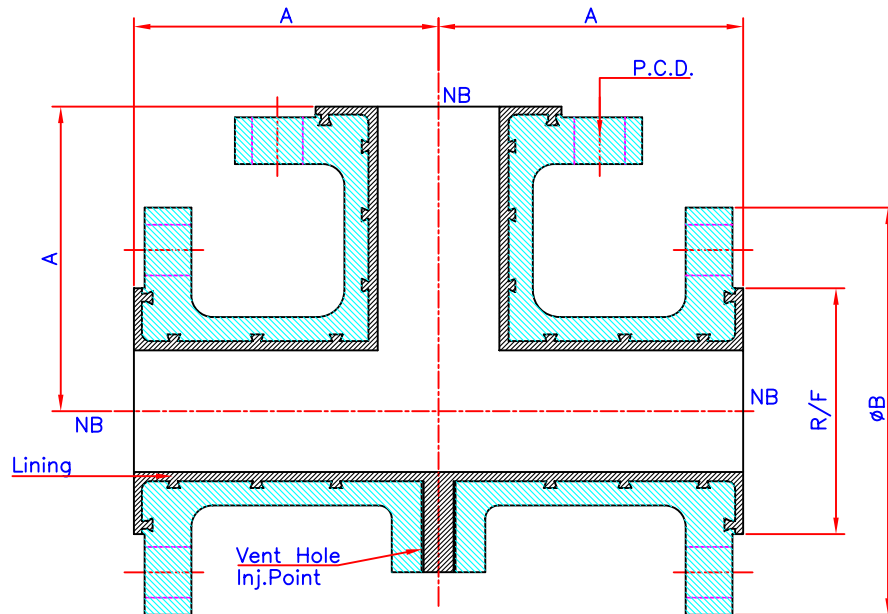


## Lined Equal Tee



### ASME B 16.5 - 150#

Size (NB)	Flange OD øB	Raised Face Diameter (R/F)	Flange P.C.D.	Face to Face A	Lining Thickness
15	88.9	35	60.3	65	3.0
20	98.4	43	69.8	75	3.0
25	108.0	51	79.4	89	3.0
40	127.0	73	98.4	102	3.0
50	152.4	92	120.6	114	3.5
65	177.8	105	139.7	127	3.5
80	190.5	127	152.4	140	3.5
100	228.6	157	190.5	165	4.5
150	279.4	216	241.3	203	5.0
200	342.9	270	298.4	229	5.5
250	406.4	324	361.9	279	6.5
300	482.6	381	431.8	305	8.0
350	533.4	413	476.2	356	8.0

ALL DIMENSION ARE IN mm

### Casting Tee Material Data

CASTING : ASTM A 395 /A 216 WCB / SS 304/ SS 316

Lining : PFA / FEP / PP

### Fabrication Tee Material Data

Flange : IS : 2062 / A 105 / SS 304 / SS 316

Pipe : ASTM A 106 Gr B / SS 304 / SS 316  
PIPE SCH- 40 / SCH -80

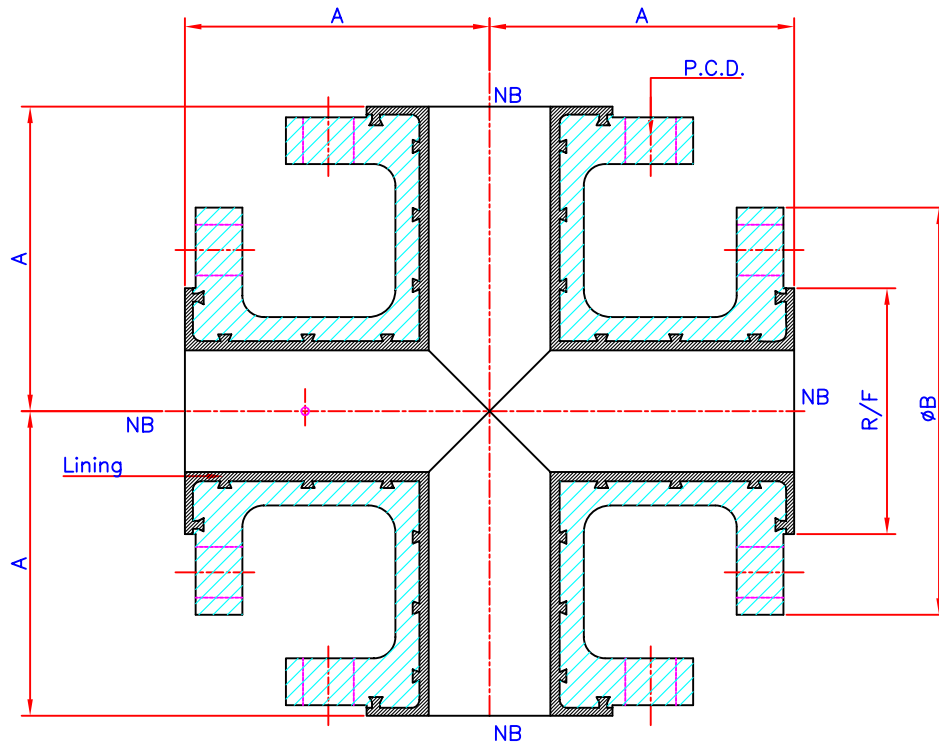
Lining : PFA / FEP / PP

### Flange Std.

- 1) ASME B 16.5-150# & 300#
- 2) DIN.STD.-PN6 / PN10 / PN 16 / PN 25
- 3) BS STD.-TABLE -D/E/F/H
- 4) JIS 5K / JIS 10K

Note : In Casting Tee Flange Std.Applicable ASME B 16.5 -150#

## Lined Equal Cross



### ASME B 16.5 - 150#

Size (NB)	Flange OD $\phi B$	Raised Face Diameter (R/F)	Flange P.C.D.	Face to Face A	Lining Thickness
15	88.9	35	60.3	--	--
20	98.4	43	69.8	--	--
25	108.0	51	79.4	89	3.0
40	127.0	73	98.4	102	3.0
50	152.4	92	120.6	114	3.5
65	177.8	105	139.7	127	3.5
80	190.5	127	152.4	140	3.5
100	228.6	157	190.5	165	4.5
150	279.4	216	241.3	203	5.0
200	342.9	270	298.4	229	5.5
250	406.4	324	361.9	279	6.5
300	482.6	381	431.8	305	8.0
350	533.4	413	476.2	356	8.0

ALL DIMENSION ARE IN mm

### Casting Tee Material Data

CASTING : ASTM A 395 / A 216 WCB / SS 304/ SS 316

Lining : PFA / FEP / PP

### Fabrication Tee Material Data

Flange : IS : 2062 / A 105 / SS 304 / SS 316

Pipe : ASTM A 106 Gr B / SS 304 / SS 316  
PIPE SCH- 40 / SCH -80

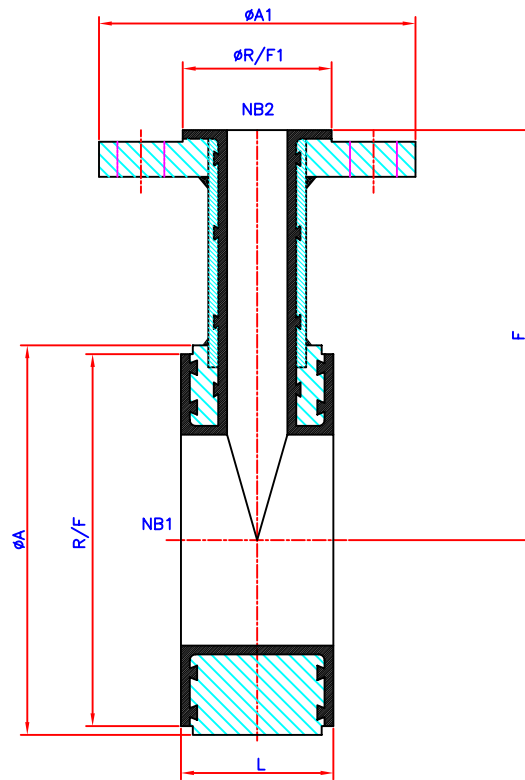
Lining : PFA / FEP / PP

### Flange Std.

- 1) ASME B 16.5-150# & 300#
- 2) DIN.STD.-PN6 / PN10 / PN 16 / PN 25
- 3) BS STD.-TABLE -D/E/F/H
- 4) JIS 5K / JIS 10K

Note : In Casting Croos Flange Std.Applicable ASME B 16.5 -150#

Lined Instrument Tee



ASME B 16.5 - 150#

Size		NB1		NB2		NB1	NB2	THK. L	Face to Face F
NB1	NB2	Collar ØA	OD Raised Face Diameter (R/F)	Flange OD ØA1	OD Raised Face Diameter (R/F1)	Lining Thickness	Lining Thickness		
25	25	58	51	108	51	3.0	3.0	50	89
40	25	79	73	108	51	3.0	3.0	50	102
40	40	79	73	127	73	3.0	3.0	76	102
50	25	100	92	108	51	3.5	3.0	50	114
50	40	100	92	127	73	3.5	3.0	76	114
50	50	100	92	152.4	92	3.5	3.5	76	114
80	25	133	127	108	51	3.5	3.0	50	140
80	40	133	127	127	73	3.5	3.0	76	140
80	50	133	127	152.4	92	3.5	3.5	76	140
100	25	165	157	108	51	4.5	3.0	50	165
100	40	165	157	127	73	4.5	3.0	76	165
150	25	219	216	108	51	5.0	3.0	50	203
150	40	219	216	127	73	5.0	3.0	76	203
150	50	219	216	152.4	92	5.0	3.5	76	203

ALL DIMENSION ARE IN mm

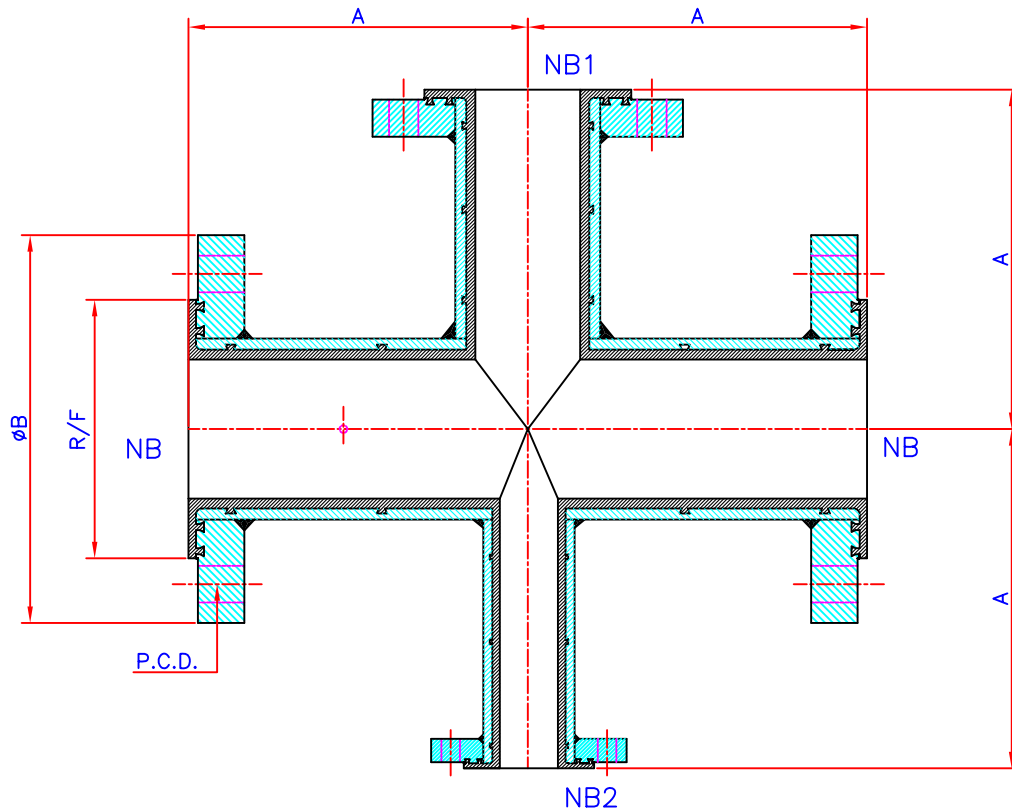
Fabrication Tee Material Data

Flange : IS : 2062 / A 105 / SS 304 / SS 316  
 Pipe : ASTM A 106 Gr B / SS 304 / SS 316  
 PIPE SCH- 40 / SCH -80  
 Lining : PFA / FEP / PP

Flange Std.

- 1) ASME B 16.5-150# & 300#
- 2) DIN.STD.-PN6 / PN10 / PN 16 / PN 25
- 3) BS STD.-TABLE -D/E/F/H
- 4) JIS 5K / JIS 10K

Lined Un. Equal Cross



ASME B 16.5 - 150#

Size			NB			Face to Face A	NB1 Lining Thickness
NB	NB1	NB2	Flange OD $\phi B$	Raised Face Diameter (R/F)	Flange P.C.D.		
40	40	25	127.0	73	98.4	102	3.0
50	40	25	152.4	92	120.6	114	3.5
65	50	40	177.8	105	139.7	127	3.5
80	50	40	190.5	127	152.4	140	3.5
100	80	50	228.6	157	190.5	165	4.5
150	100	80	279.4	216	241.3	203	5.0
200	150	100	342.9	270	298.4	229	5.5

ALL DIMENSION ARE IN mm

Fabrication Tee Material Data

Flange : IS : 2062 / A 105 / SS 304 / SS 316

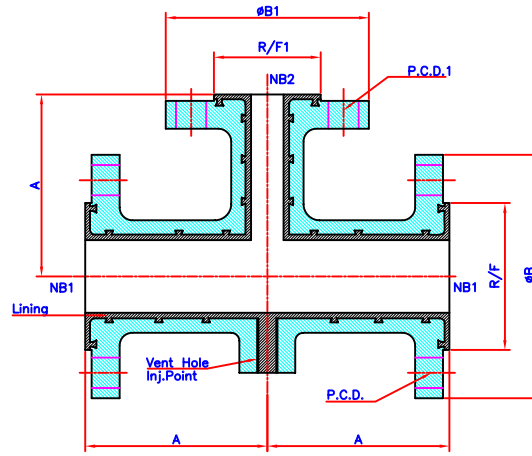
Pipe : ASTM A 106 Gr B / SS 304 / SS 316  
PIPE SCH- 40 / SCH -80

Lining : PFA / FEP / PP

Flange Std.

- 1) ASME B 16.5-150# & 300#
- 2) DIN.STD.-PN6 / PN10 / PN 16 / PN 25
- 3) BS STD.-TABLE -D/E/F/H
- 4) JIS 5K / JIS 10K

Lined Un.Equal Tee



ASME B 16.5 - 150#

Size		NB1			NB2			NB1	NB2	Face to Face
(NB-1)	(NB-2)	Flange OD øB	Raised Face Diameter (R/F)	Flange P.C.D.	Flange OD øB1	Raised Face Diameter (R/F1)	Flange P.C.D.1	Lining Thickness	Lining Thickness	A
25	20	108.0	51	79.4	98.4	43	69.8	3.0	3.0	89
40	25	127.0	73	98.4	108.0	51	79.4	3.0	3.0	102
50	25	152.4	92	120.6	108.0	51	79.4	3.5	3.0	114
50	40	152.4	92	120.6	127.0	73	98.4	3.5	3.0	114
65	25	177.8	105	139.7	108.0	51	79.4	3.5	3.0	127
65	40	177.8	105	139.7	127.0	73	98.4	3.5	3.0	127
65	50	177.8	105	139.7	152.4	92	120.6	3.5	3.5	127
80	25	190.5	127	152.4	108.0	51	79.4	3.5	3.0	140
80	40	190.5	127	152.4	127.0	73	98.4	3.5	3.0	140
80	50	190.5	127	152.4	152.4	92	120.6	3.5	3.5	140
80	65	190.5	127	152.4	177.8	105	139.7	3.5	3.5	140
100	25	228.6	157	190.5	108.0	51	79.4	4.5	3.0	165
100	40	228.6	157	190.5	127.0	73	98.4	4.5	3.0	165
100	50	228.6	157	190.5	152.4	92	120.6	4.5	3.5	165
100	65	228.6	157	190.5	177.8	105	139.7	4.5	3.5	165
100	80	228.6	157	190.5	190.5	127	152.4	4.5	3.5	165
150	25	279.4	216	241.3	108.0	51	79.4	5.0	3.0	203
150	40	279.4	216	241.3	127.0	73	98.4	5.0	3.0	203
150	50	279.4	216	241.3	152.4	92	120.6	5.0	3.5	203
150	65	279.4	216	241.3	177.8	105	139.7	5.0	3.5	203
150	80	279.4	216	241.3	190.5	127	152.4	5.0	3.5	203
150	100	279.4	216	241.3	228.6	157	190.5	5.0	4.5	203
200	25	342.9	270	298.4	108.0	51	79.4	5.5	3.0	229
200	40	342.9	270	298.4	127.0	73	98.4	5.5	3.0	229
200	50	342.9	270	298.4	152.4	92	120.6	5.5	3.5	229
200	65	342.9	270	298.4	177.8	105	139.7	5.5	3.5	229
200	80	342.9	270	298.4	190.5	127	152.4	5.5	3.5	229
200	100	342.9	270	298.4	228.6	157	190.5	5.5	4.5	229
200	150	342.9	270	298.4	279.4	216	241.3	5.5	5.0	229
250	40	406.4	324	361.9	127.0	73	98.4	6.5	3.0	279
250	50	406.4	324	361.9	152.4	92	120.6	6.5	3.5	279
250	65	406.4	324	361.9	177.8	105	139.7	6.5	3.5	279
250	80	406.4	324	361.9	190.5	127	152.4	6.5	3.5	279
250	100	406.4	324	361.9	228.6	157	190.5	6.5	4.5	279
250	150	406.4	324	361.9	279.4	216	241.3	6.5	5.0	279
250	200	406.4	324	361.9	342.9	270	298.4	6.5	5.5	279
300	50	482.6	381	431.8	152.4	92	120.6	8.0	3.5	305
300	80	482.6	381	431.8	190.5	127	152.4	8.0	3.5	305
300	100	482.6	381	431.8	228.6	157	190.5	8.0	4.5	305
300	150	482.6	381	431.8	279.4	216	241.3	8.0	5.0	305
300	200	482.6	381	431.8	342.9	270	298.4	8.0	5.5	305
350	50	533.4	413	476.2	152.4	92	120.6	8.0	3.5	356
350	80	533.4	413	476.2	190.5	127	152.4	8.0	3.5	356
350	100	533.4	413	476.2	228.6	157	190.5	8.0	4.5	356
350	150	533.4	413	476.2	279.4	216	241.3	8.0	5.0	356
350	200	533.4	413	476.2	342.9	270	298.4	8.0	5.5	356
350	300	533.4	413	476.2	482.6	381	431.8	8.0	6.5	356

ALL DIMENSION ARE IN mm

Casting Tee Material Data

CASTING : ASTM A 395 / A 216 WCB /SS 304/ SS 316

Lining : PFA / FEP / PP

Fabrication Tee Material Data

Flange : IS : 2062 / A 105 / SS 304 / SS 316

Pipe : ASTM A 106 Gr B / SS 304 / SS 316

PIPE SCH- 40 / SCH -80

Lining : PFA / FEP / PP

Flange Std.

- 1) ASME B 16.5-150# & 300#
- 2) DIN.STD.-PN6 / PN10 / PN 16 / PN 25
- 3) BS STD.-TABLE -D/E/F/H
- 4) JIS 5K / JIS 10K

Note : In Casting Tee Flange Std.Applicable ASME B 16.5 -150#