

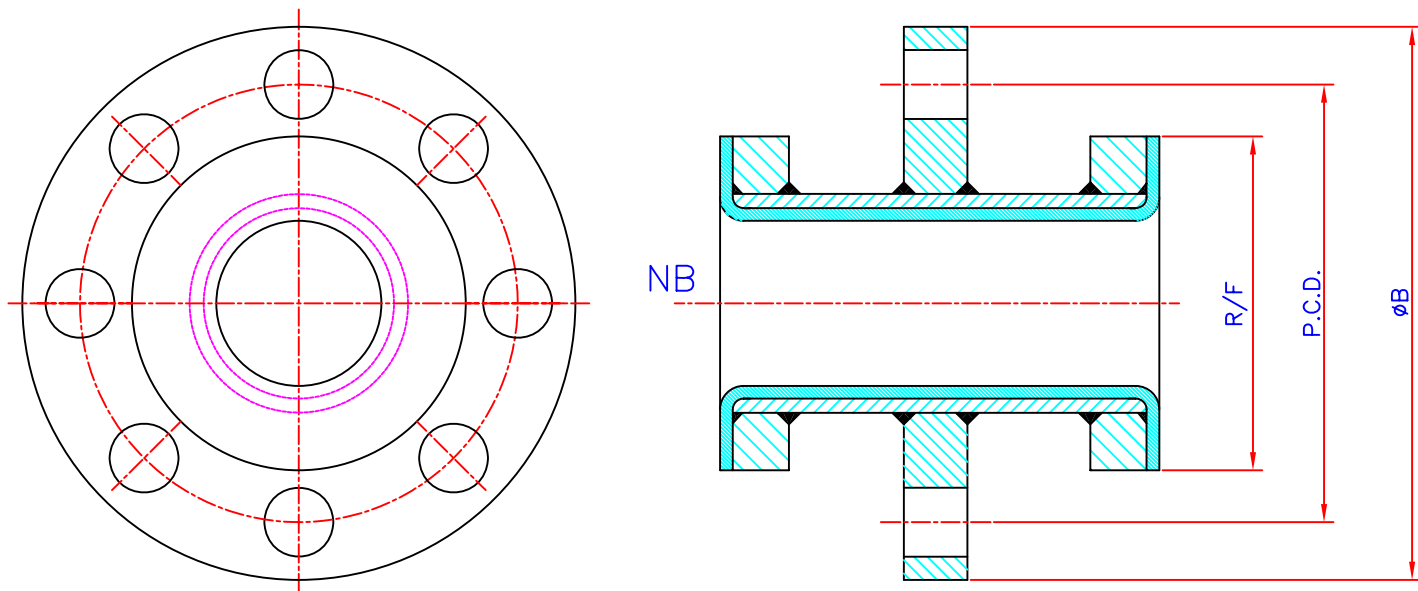
ASME B 16.5 - 150#

Size (NB)	Diameter A (OD)	Diameter B (ID)
15	35	10
20	43	15
25	51	20
40	73	34
50	92	45
65	105	55
80	127	71
100	157	93
150	216	144
200	270	192
250	324	244
300	381	292
350	413	321

ALL DIMENSION ARE IN mm

Material

Spacer : PTFE / PP



ASME B 16.5 - 150#

Size (NB)	Flange OD ϕB	Raised Face Diameter (R/F)	Flange P.C.D.	PTFE Liner Thickness	Pipe Schedule
15	88.9	35	60.3		40
20	98.4	43	69.8		40
25	108.0	51	79.4		40
40	127.0	73	98.4		40
50	152.4	92	120.6		40
65	177.8	105	139.7		40
80	190.5	127	152.4		40
100	228.6	157	190.5		40
150	279.4	216	241.3		40
200	342.9	270	298.4		30
250	406.4	324	361.9		30
300	482.6	381	431.8		30
350	533.4	413	476.2		20

Item Material Data

Flange : IS : 2062 / A 105 / SS 304 / SS 316
 Pipe : ASTM A 106 Gr B / SS 304 / SS 316
 PIPE SCH- 40 / SCH -80
 Jac.Pipe : ASTM A 106 Gr B / SS 304 / SS 316
 PIPE SCH-10 / SCH-40
 Liner : PTFE / PP /HDPE / ANTISTATIC

Flange Std.

- 1) ASME B 16.5-150# & 300#
- 2) DIN.STD.-PN6 / PN10 / PN 16 / PN 25
- 3) BS STD.-TABLE -D/E/F/H
- 4) JIS 5K / JIS 10K